

POS Register Stand Up Display Vakuum-Fluoreszenzbildschirm VFD-Monitor (Modell: VFD220A)

Spezifikationen:

| | |
|---|--|
| Kommunikation | |
| Schnittstelle: | Serielle Schnittstelle (RS-232) |
| Baudrate: | 9600 bps |
| Helligkeit: | 2000cd |
| Datenbit: | 8 Bit |
| Stoppbit: | 1bit |
| Handshake-Signal: | Nein |
| Elektrisch: | Durch die Leistung des Host-Computers DC12 (große 4ps-Schnittstelle) |
| Anzeige: | VFD Hellblau-grün fluoreszierendes Display |
| Zeichen anzeigen: | 2 Zeilen x 20 Zeichen / Zeile, 40 Zeichen, 5 x 7 Punkte |
| Anzeigebereich: | 160 mm (B) x 23,8 mm (H) |
| Zeichengröße: | hoch 11mm x breit 7mm |
| MTBF: | 25.000 Stunden |
| Maße | |
| Plattenabmessungen: | 80 (H) x 225 (B) x 37 (T) mm |
| Unterstützung abmessungen: | Lange unterstützung: 480mm (enthalten basis) Kurze Unterstützung: 225mm (enthalten Basis) Grundabmessungen: 185 (L) x 95 (B) x 25 (H) mm |
| Nickwinkel: | 45 °, kann bequem zur Verfügung stellen und den Sichtwinkel justieren |
| Gewicht: | 1,2 kg (brutto) |
| Umgebung | |
| Betriebstemperatur: | -20 ~ 70 A18 |
| Lagertemperatur; | -40 ~ 80 A19 |
| Betriebsfeuchtigkeit: | 10 ~ 85% |
| Lagerungsfeuchtigkeit: | 10 ~ 90% |
| Befehlssatz | |
| Annahme des allgemeinen internationalen Standardbefehls ESC / POS, Kann in DOS oder der Windows-Systemumgebung verwendet werden. Benötigt keinen Treiber. Nur gemäß der zum Senden von Daten festgelegten Formatreihenfolge kann Inhalt angezeigt werden. | |
| Mit der Funktion zum Öffnen der Kassenschublade in alle Richtungen einstellbar. | |

Produktdetails:



Double Line VFD Customer Display

VFD220A



Product Picture





Features

Simple but not easy

Double lines 20*2 characters VFD display;





Support 13 countries languages;

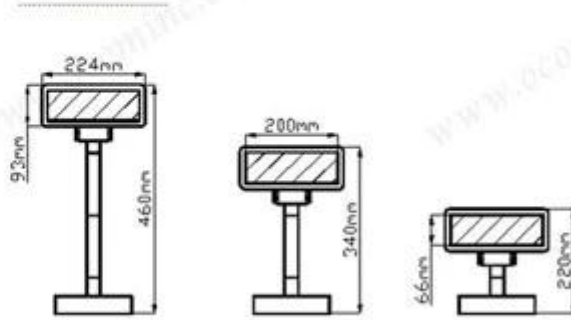
Power may be sourced from system,
with the bracket and cable kit supplied
in typical configuration.



360 degree rotation angle;



Pole height is adjustable;



All-round show





Application Area

Catering: hotel, restaurant, fast-food restaurant, coffee shop, bakery and cake shop

Retailer: Business Street, boutique, department store, cosmetics shop and high-class barbershop

Recreation: sauna, spa, night club, theme park, casino and point of sales for lottery ticket

Commercial: information management terminals for parking lot, inn, aviation, subway, station and wharf



Parameter

| Communication | |
|---|---|
| Interface: | Serial port (RS-232) |
| Baud rate: | 9600bps |
| Brightness: | 2000cd |
| Data bit: | 8bit |
| Stop bit: | 1bit |
| Handshake signal: | No |
| Electrical: | By the power of the host computer DC12 (big 4ps interface) |
| Display: | VFD Bright blue-green fluorescent display |
| Display characters: | 2 line x 20 characters / line, 40 characters, 5 x 7 Dots |
| Display area: | 160mm(W) x 23.8mm(H) |
| Character size: | high 11mm x wide 7mm |
| MTBF: | 25,000 hours |
| Dimensions | |
| Panel dimensions: | 80(H) x 225(W)x37(D) mm |
| Support dimensions: | Long support: 480mm (Contain base) Short support: 225mm (Contain base) Base dimensions: 185(L) x95(w) x25(H) mm |
| Pitching move angle: | 45°, Can provide comfortable, and adjust the visual Angle |
| Weight: | 1.2Kg (gross) |
| Environment | |
| Operating Temp: | -20~70 A18 |
| Storage Temp: | -40~80 A19 |
| Operating Humidity: | 10~85% |
| Storage Humidity: | 10~90% |
| Command Set | |
| Adopting international standard general command ESC/POS, Its can used in DOS or Windows System Environment, Don't need any driver, Only according to the format serial order set to send data can show content. | |

With the function of opening the cash drawer All direction adjustable.

Production Line



Capacity

| Verified | Product Name | Production Line Capacity | Actual Units Produced(Previous Year) |
|----------|-----------------|--------------------------|--------------------------------------|
| ✓ | Thermal Printer | 40,000 Sets / Month | 250,000 Sets |

| | | | |
|---|---------------------------------|---------------------|-------------|
| ✓ | Dot Matrix Printer | 15,000 Sets / Month | 10,000 Sets |
| ✓ | Bluetooth Printer | 30,000 Sets / Month | 20,000 Sets |
| ✓ | Barcode Scanner | 40,000 Sets / Month | 20,000 Sets |
| ✓ | POS Machine | 5,000 Sets / Month | 10,000 Sets |
| ✓ | Magnetic Card Reader and Writer | 45,000 Sets / Month | 50,000 Sets |

✓ Indicates information has been verified onsite by TUV on 2013.7.15

Quality Assurance

OCOM is dedicated to providing most cost-effective products and services with highest quality that will meet customers' satisfaction.



Since the establishment, OCOM has been sticking strictly to the standard and requirements of ISO9001: 2000 in the processes of research, design, manufacturing and services. OCOM's products have passed CE, FCC, TUV, RoHS and other certifications.

We make strictly IQC, IPQC and OQC inspection per industrial standard. All the products must pass 24-48 hours aging test before shipment. Some designated models can have as long as 24 months warranty.

Test Equipments

| Verified | Machine Name | Brand & Model No. | Quantity |
|----------|--------------------------|-------------------|----------|
| ✓ | Ageing Tester | No Information | 6 |
| ✓ | Withstand Voltage Tester | CC2670A | 1 |
| ✓ | Oscilloscope | TBS1102 | 1 |

| | | | |
|---|----------------------|----------------|----|
| ✓ | DC Power Supply | PS-305DM | 6 |
| ✓ | Digital Torque Meter | HP100 | 1 |
| ✓ | Calliper | GUANGLU | 2 |
| ✓ | Multi-meter | VC890D | 7 |
| ✓ | Test Computer | No Information | 13 |

✓ Indicates information has been verified onsite by TUV on 2013.7.15

Certifications



Packing and Shipment



Payment



Customers Reference

Over the years, OCOM keep efforts on marking "OCOM" as an internationally recognized brand, and we have established goods relationship with our customers and have friendly communication with each other.





Why you choose us?



Company Profile

This Assessed Supplier Has Been Independently Verified

Build Your Growth On Trust



TÜVRheinland
Precisely Right.



OCOM Technologies Limited, founded in 2007, is one of the leading suppliers of POS and Auto-ID related products from China.

OCOM's products portfolio covers Thermal Printer, Dot Matrix Printer, Barcode Printer, Barcode Scanner, Magnetic Card Reader, POS Terminal, and POS peripherals. Our products have passed CE, FCC, RoHS and other required certificates, and are hot selling in Europe, Australia, Asia, and other areas.

OCOM has a professional team including marketing, R&D, quality control, production and sales service. The management members have worked in the FORTUNE 500 companies as senior managers for many years. All of the sales have more than 5 years' experience, which helps us to meet and exceed the customers' satisfaction.

OCOM has been sticking to the quality system of ISO9001:2008. We make strictly IQC, IPQC and OQC inspection per industrial standard. All the products must pass 24-48 hours aging test before shipment. Some designated models can have as long as 24 months warranty. We have the mass production capabilities that produce thousands of printers and scanners a week. Based on our strong capacity, the normal lead time for main products is about 3 to 7 days even for bulk order.

"Integrity based, Strive for excellence, Win-win cooperation". We would like to establish stable and reliable partnerships with customers all over the world. OEM/ODM is welcome.

