

# Adjustable USB POS Pole LCD Customer Display

(Model No.: LCD220)



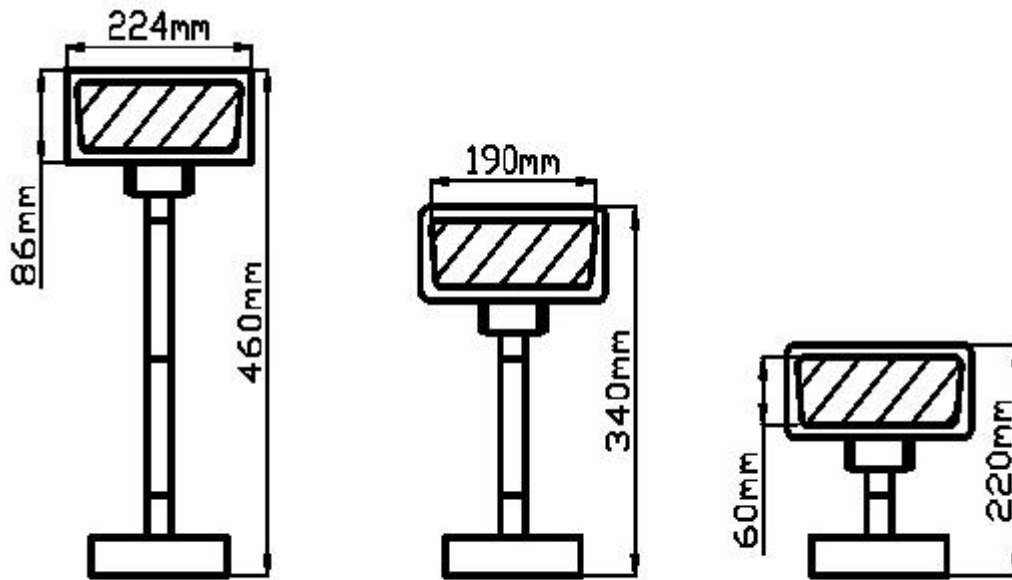
## Features:

- 20 characters per line LCD display
- Pole height is adjustable
- Support multiple national languages

## Specifications:

|                      |   |
|----------------------|---|
| Communication        |   |
| Interface:           | USB or RS232 port   |
| Baud rate:           | 9600bps   |
| Brightness:          | 2000cd  |
| Data bit:            | 8bit  |
| Stop bit:            | 1bit  |
| Handshake signal:    | No  |
| Electrical:          | By the power of the host computer USB 5V                                  |
| Display:             | LCD white characters display  |
| Display characters:  | 2 lines x 20 characters / line  |
| Display area:        | 190mm(L) x 60mm(W)  |
| MTBF:                | 25,000 hours  |
| Command              | ECS/POS and CD5220  |
| Languages            | All languages based on the Latin alphabet                                 |
| Dimensions           |   |
| Panel dimensions:    | 224*86 mm   |
| Support dimensions:  | Long support: 460mm (Contain base)<br>Short support: 224mm (Contain base) |
| Pitching move angle: | 15-120°, Can provide comfortable, and adjust the visual Angle             |
| Weight:              | 1.2Kg (gross)   |
| Environment          |   |
| Operating Temp:      | -40~50 A18  |
| Storage Temp;        | -60~80 A19  |

|  |        |
|--|--------|
| Operating Humidity:  | 30~85% |
| Storage Humidity:  | 30~90% |
| Command Set  |        |
| Adopting international standard general command ESC/POS, Its can used in DOS or Windows System Environment |        |
| With the function of opening the cash drawer All direction adjustable.                                     |        |





## FAQ

### 1. MOQ policy

No MOQ limitation for the standard products, but the unit price is different, bigger quantity better price.

For customized production, you can discuss the MOQ with our sales representative directly.

### 2. Sample Availability & Policy

After customers confirmed the specification, we are very glad to provide samples for testing and qualification.

All samples should be paid before shipment, the samples price is a higher than mass order.

When the mass order placed, we can return you the samples cost, or send you more piece products with the shipments.

You can buy the samples from us directly using t/t, western union, or paypal. And you can also buy it on our online store.

### **3. Warranty**

OCOM is dedicated to providing most cost-effective products and services with reliable quality that will meet customers' satisfaction;

We were qualified by a global Fortune 500 company, and we have the top 1 level trade assurance which 100% protects your money and lead time.

Our warranty of the products is about 12+1 months from the shipment normally, some designated models can have as long as 24 months warranty;

Any product within 30 days of delivery failure occurs shall be deemed invalid delivery (DOA). DOA products will give priority to the replacement, and shipped by courier.

For mass order, we would like to supply some spare parts with shipment for local quick repair. And after that, you can return failure parts for rework and analysis.

### **4. Payment Terms**

For mass order, you can pay us by using T/T, LC, Western Union, Escrow or others. About samples order, T/T, Western Union, Escrow, Paypal are acceptable. Escrow Service is powered by Alipay.com. Currently, you can pay using Moneybookers, Visa, MasterCard and bank transfer.

You can also pay with select debit cards including Maestro, Solo, Carte Bleue, PostePay, CartaSi, 4B and Euro6000.

### **5. Shipment**

We accept all kinds of shipping ways including: express, air, sea, truck, or pick up by customers personally.

## **Why You Choose Us**

- Leading One-Stop POS and Auto-ID Related Products Supplier Qualified by Global Fortune 500 Companies
- Tier 1 customers including Unilever, O2, Star...
- 3000+ Customers Cover 165 Countries;
- 13 Years OEM/ODM Experience.
- Top 1 Level Trade Assurance in POS industrial guarantee quality and shipment date
- Fast responses and professional service
- ISO, CE, FCC, Soncap, POA, BIS, and other Certificates
- 12+1 months warranty.
- Shortlisted in "China Best Employer Award"
- Belief: Integrity Based, Strive for Excellence, Win-win Cooperation